

# POWERWASH 2000

*Portable, High Pressure Washing System*



The POWERWASH® 2000 Portable High-Pressure Washing System is engineered to meet today's demanding requirements for improved sanitation in food processing plants. In one compact, all stainless steel system, the POWERWASH® 2000 ensures optimal hygiene with three complete wash cycles: Foam, Rinse and Sanitize.

## Flexibility

The POWERWASH® 2000 may be used in both Automatic and Manual Mode.

In Automatic Mode, the POWERWASH® 2000 becomes an integral part of the IJ White In-line CIP Belt Washing Station, providing 500 PSI cleaning of the belt. Portable, quick-release disconnects, the system may also be used with multiple CIP Belt-Washing Stations on the same production line or throughout the plant.

In the Manual Mode, plant personnel can use the POWERWASH® 2000 to easily clean the entire processing area. The system comes with two high-pressure hoses, and one sanitation wand for complete foaming, rinsing, and sanitizing.

## Economy

The POWERWASH® 2000 conserves water and lowers energy consumption. A high-efficiency 5 HP motor, coupled with a positive displacement pump, reduces water usage while providing maximum pressure.

## Technical Support

Every POWERWASH® 2000 includes a comprehensive Operations Manual. I.J. White's Technical Support Department provides a complete warranty, with 24 hour parts shipment and on-site service.

SINCE 1919



For more information visit  
[ijwhite.com](http://ijwhite.com)

# POWERWASH<sup>®</sup> 2000

## Technical Data

### Specifications

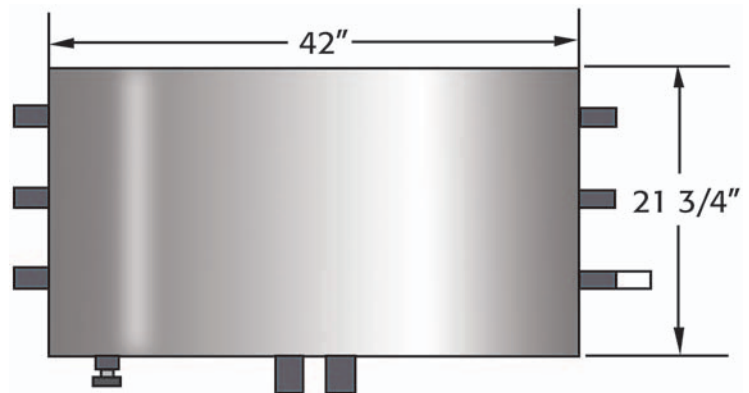
- Capacity - 4 to 12 GPM
- Pressure - 500 PSI (option to 3,000 PSI)
- Pump, triplex, positive displacement
- Stainless-steel wet section
- Temperature rated to +200 °F
- Motor - 5 HP, 220/400/460/575 V, 3 PH
- Low water safety shut-off
- Overload Protection
- Low voltage controls

### Features

- All Stainless-steel construction
- Switch on/off
- Glycerine-filled pressure gauge
- Temperature gauge
- Quick disconnect connections
- Locking storage department
- Portable
- Multiple discharge ports

### Equipment

- One 25ft., 1/2" high pressure hose
- One 75ft., 1/2" high pressure hose
- One sanitizing wand
- One safety gun with 6" barrel
- 48" under-belt safety rinse gun
- One stainless steel reservoir (30 gal)
- One stainless steel chemical tank (6 gal)



SINCE 1919



**"INNOVATION INTO MOTION"**

20 Executive Boulevard, Farmingdale, NY 11735  
Phone: 631-293-2211 • Fax: 631-293-3788  
E-mail: [service@ijwhite.com](mailto:service@ijwhite.com) • [www.ijwhite.com](http://www.ijwhite.com)