



Ultra Series System in Operation - 2012

Description: Blast Freezing System
Model Number: 1-24/24-AL-120-C.W.
 IJW09507: Multi-Path
Application(s): Ambient Cooling
Condition: Good
Belt Width: 24" (609.6mm)
Direction: Ascending/Descending
Overall Height: 13' 14" (3.96M)
Frame Material: Aluminum
Belt Material: Modular Plastic
Belt Type: Ultra Series
Belt Length: 1100' (335.28M)
Levels: 10 INSIDE / 8 OUTSIDE
System Diameter: 22' 2" (6.71M)

"Every IJ White Certified Re-Engineered System offers a full OEM Warranty."

Our 5-Star Certification Process

starts with rigorous guidelines. Every system has to go through a comprehensive certification process and not all systems qualify.

Our System Inspection Team takes on an exhaustive personal overview of the process. From Main Drive Components, Reducers and Motors, to Pulleys and Wear strips, the system is reworked with a full IJW Manufacturer Warranty.

5 Star Certification Features:

- ◆ Full Manufacturer's Warranty.
- ◆ Configuration Upgrades: Down-Go, Up-Go, CW/CCW
- ◆ New Wear Components: pulleys, sprockets, rollers, wear strips and bearings.
- ◆ Sanitized and cleaned.
- ◆ Belt Inspection and Approval.

Motor / Reducer Base



Direct Drive - Take Ups



How to get started:

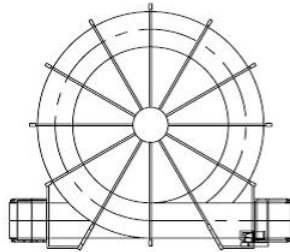
1. Complete an IJ White Product Specification Sheet.
2. Schedule an appointment to meet our Sales Engineering Team.
3. Review of Specifications, Customization and Project Viability.
4. Finalize and receive a System Proposal.
5. Review proposal and ensure all major deliverables have met project expectations.



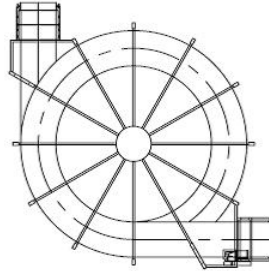
Control Panel

Certified Re-Engineered System Bulletin:

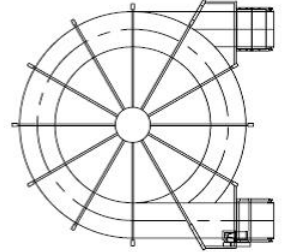
Customized Configurations Available



**STRAIGHT
THROUGH**



**'L' SHAPED /
90°**



**'U' SHAPED /
180°**

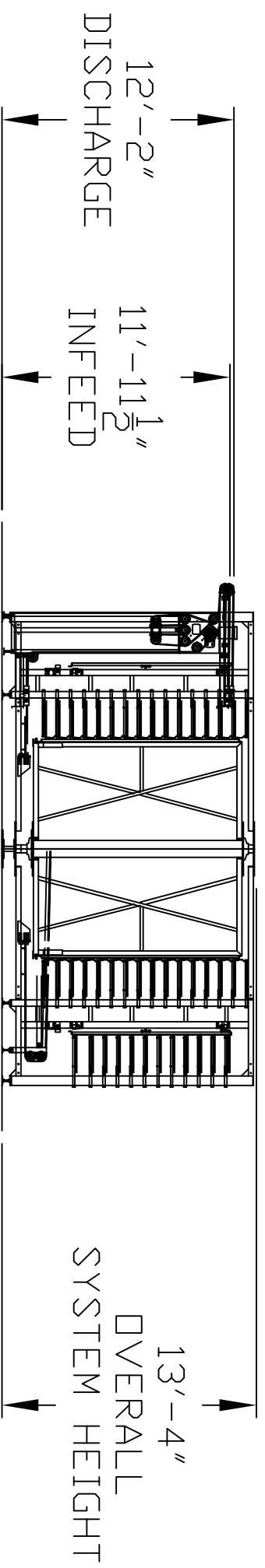
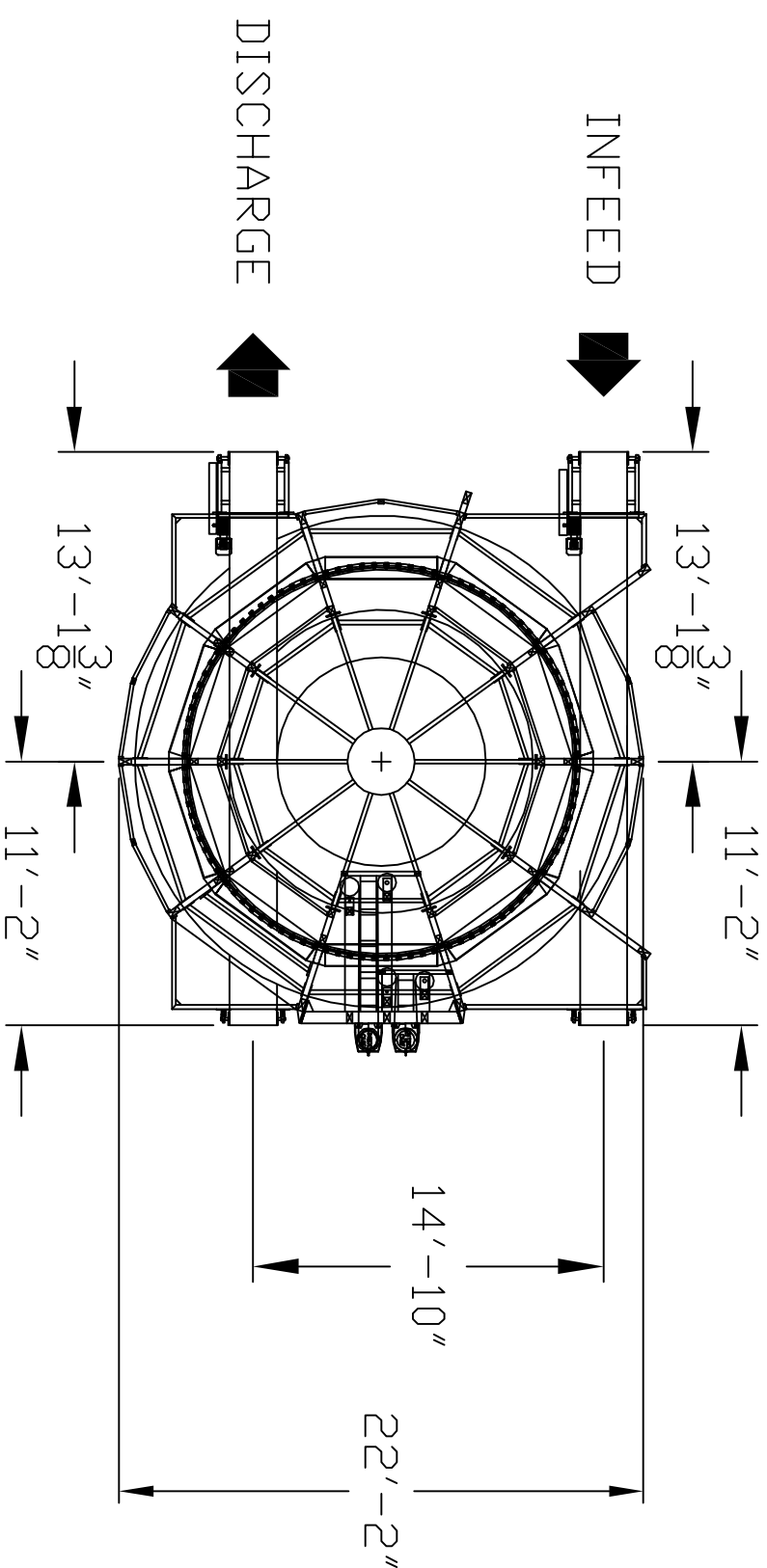
More System Photos for Review:



For More Information about IJW Re-Engineered systems please call our Technical Services Team at 631-293-2211 or email us at service@ijwhite.com

I.J. WHITE ULTRA SERIES MULTI-PATH COOLING SYSTEM

DATE	SYM	REVISION RECORD	AUTH	DR	CHK



JOB NUMBER

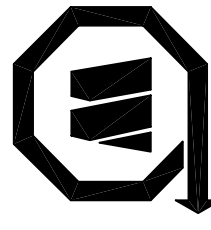
CONFIDENTIAL

SINCE 1919

I.J. WHITE SYSTEMS

DATE

THIS DRAWING AND THE MATERIAL CONTAINED THEREIN ARE THE PROPERTY OF I.J. WHITE CORP. AND SHALL NOT BE REPRODUCED, COPIED, OR DISPOSED OF DIRECTLY OR INDIRECTLY, AND SHALL NOT BE USED IN WHOLE OR IN PART, IN THE MAKING OF OR FOR THE PURPOSE OF FURNISHING ANY INFORMATION FOR THE MAKING OF DRAWINGS, PRINTS, APPARATUS, OR PARTS THEREOF, OR FOR ANY OTHER PURPOSE WHATSOEVER, WITHOUT THE PRIOR WRITTEN CONSENT OF THE I.J. WHITE CORP. ALL MATERIAL CONTAINED HEREIN ORIGINATING WITH THE I.J. WHITE CORP. SHALL REMAIN THE PROPERTY OF THE I.J. WHITE CORP.



SCALE

SHEET SIZE A

TITLE

DATE

DRAWING NUMBER

DRAWN BY

APPROVED BY