

## Certified Re-Engineered System Bulletin:



Ultra Series System in Operation - 2008

**Description:** Vertical Processing System  
**Model Number:** 1-42-42-U77  
**Application(s):** Proofing/Cooling/Freezing  
**Condition:** Good  
**Belt Width:** 42" (1067mm)  
**Direction:** Ascending/Descending  
**Overall Height:** 7'8" (2.34M)  
**Frame Material:** Aluminum  
**Belt Material:** Stainless Steel  
**Belt Type:** Ultra Series  
**Belt Length:** 575' (175.26M)  
**Levels:** 6 1/2  
**System Diameter:** 23'10" (7.26M)

*"Every IJ White Certified Re-Engineered System offers a full OEM Warranty."*

### How to get started:

1. Complete an IJ White Product Specification Sheet.
2. Schedule an appointment to meet our Sales Engineering Team.
3. Review of Specifications, Customization and Project Viability.
4. Finalize and receive a System Proposal.
5. Review proposal and ensure all major deliverables have met project expectations.

### Our 5-Star Certification Process

starts with rigorous guidelines. Every system has to go through a comprehensive certification process and not all systems qualify.

Our System Inspection Team takes on an exhaustive personal overview of the process. From Main Drive Components, Reducers and Motors, to Pulleys and Wear strips, the system is reworked with a full IJW Manufacturer Warranty.

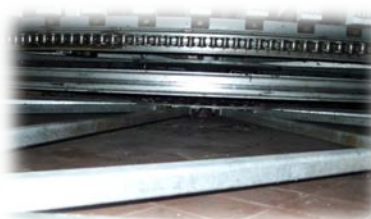
### 5 Star Certification Features:

- ◆ Full Manufacturer's Warranty.
- ◆ Configuration Upgrades: Down-Go, Up-Go, CW/CCW
- ◆ New Wear Components: pulleys, sprockets, rollers, wear strips and bearings.
- ◆ Sanitized and cleaned.
- ◆ Belt Inspection and Approval.



Take-Up

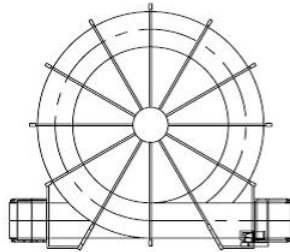
Drive Chain



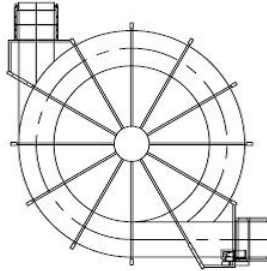
Motor/Reducer

**Certified Re-Engineered System Bulletin:**

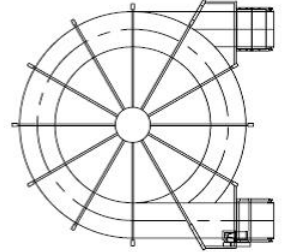
**Customized Configurations Available**



**STRAIGHT  
THROUGH**

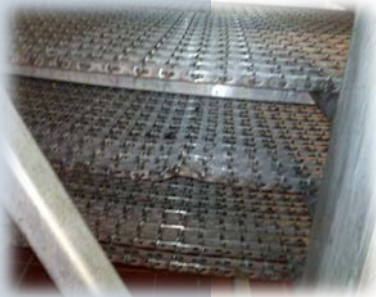


**'L' SHAPED /  
90°**



**'U' SHAPED /  
180°**

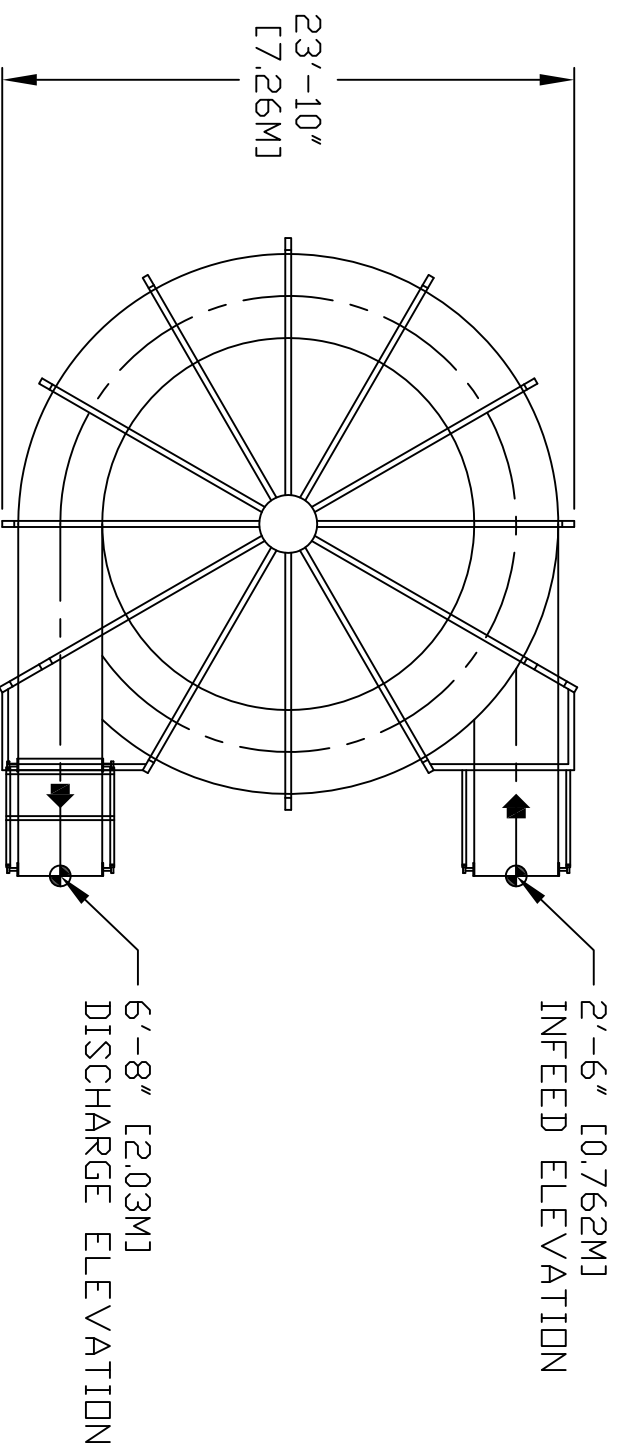
**More System Photos for Review:**



For More Information about IJW Re-Engineered systems please call our Technical Services Team at 631-293-2211 or email us at [service@ijwhite.com](mailto:service@ijwhite.com)

# I.J. WHITE ULTRA SERIES VERTICAL PROCESSING SYSTEMS (VPS) PROOFING / COOLING / FREEZING

DATE	SYM	REVISION RECORD	AUTH	DR	CHK



7'-8" [2.34M] OVERALL  
SYSTEM ELEVATION

**CONFIDENTIAL**

THIS DRAWING AND THE MATERIAL CONTAINED THEREIN ARE THE PROPERTY OF I.J. WHITE CORP. AND SHALL NOT BE REPRODUCED, COPIED, OR DISPOSED OF DIRECTLY OR INDIRECTLY, AND SHALL NOT BE USED IN WHOLE OR IN PART, IN THE MAKING OF OR FOR THE PURPOSE OF FURNISHING ANY INFORMATION FOR THE MAKING OF DRAWINGS, PRINTS, APPARATUS, OR PARTS THEREOF, OR FOR ANY OTHER PURPOSE WHATSOEVER, WITHOUT THE PRIOR WRITTEN CONSENT OF THE I.J. WHITE CORP. ALL MATERIAL CONTAINED HEREIN ORIGINATING WITH THE I.J. WHITE CORP. SHALL REMAIN THE PROPERTY OF THE I.J. WHITE CORP.



SINCE 1919

**I.J. WHITE SYSTEMS**

SCALE	1/8"=1'	DRAWN BY	EJW
SHEET SIZE	A	APPROVED BY	
TITLE	I.J. WHITE SYSTEMS		
DATE	12/6/12	DRAWING NUMBER	IJW-42-42-U77

JOB NUMBER	
DATE	
ACCEPTED BY	