



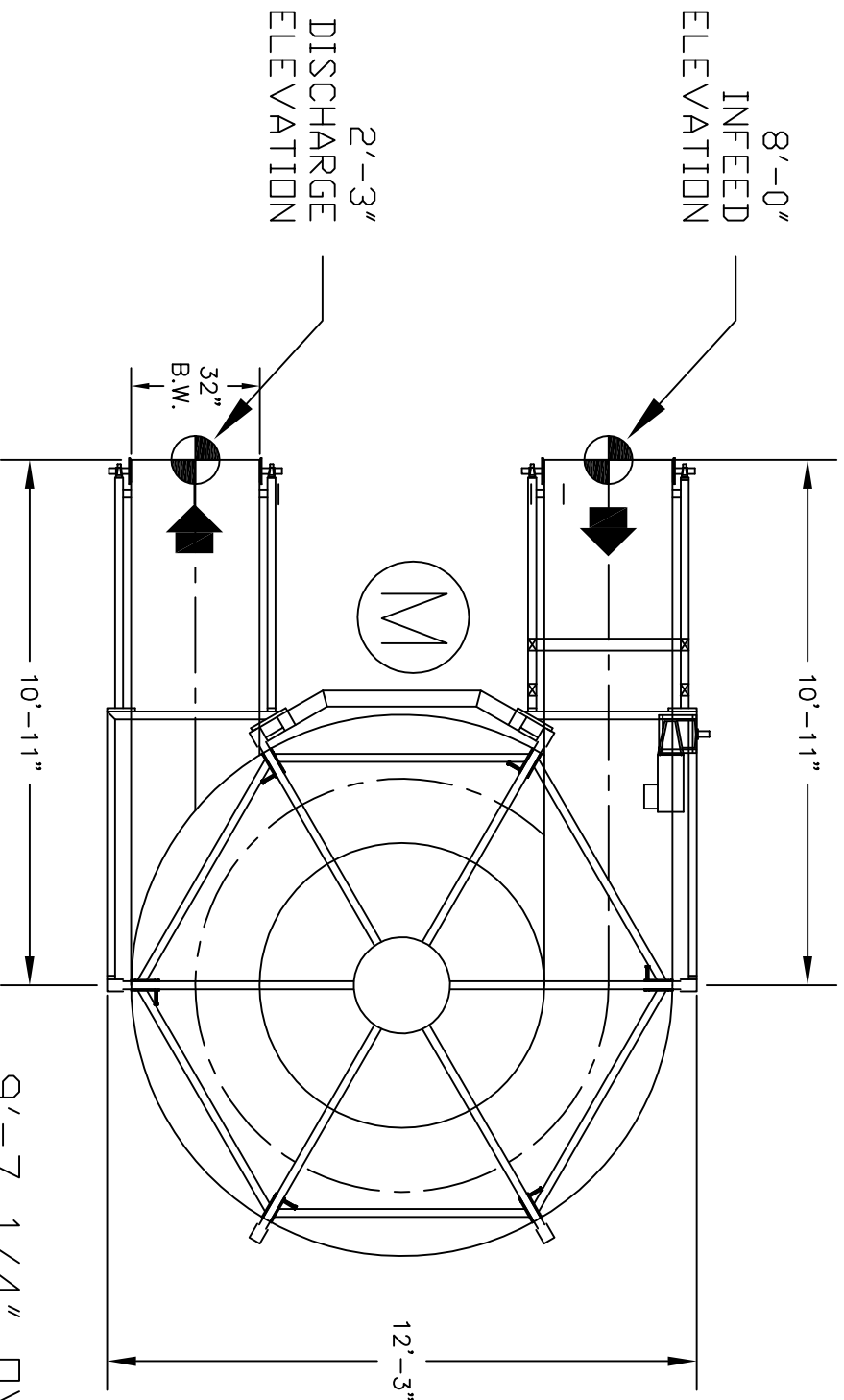
20 Executive Boulevard, Farmingdale, NY 11735  
Telephone: (631)293-2211 • Fax: (631)293-3788  
E-mail: [sales@ijwhite.com](mailto:sales@ijwhite.com) • [www.ijwhite.com](http://www.ijwhite.com)

## Re-Engineered System

Description:	Vertical Process Freezing System
Model Number	VP97648
System Number	1-32/32-AL-100-C
Application(s);	Freezing
Manufacturer:	IJW
Direction:	Descending
Tiers:	13.5
Overall Dimensions:	9' – 7 ¼" Overall System Elevation 12' – 3" Diameter
Frame Material:	Aluminum
Belt Material:	Stainless Steel
Belt Width:	32 in 812.8 mm
Belt Type:	.1 x 1 x1 x 1 ½ Small Radius US
Belt Length:	440 ft 134.112 M
Condition:	Good

# I.J. WHITE ULTRA SERIES VERTICAL PROCESSING SYSTEM (VPS) PROOFING / COOLING / FREEZING

DATE	SYM	REVISION RECORD	AUTH	DR	CHK



9'-7 1/4" OVERALL  
SYSTEM ELEVATION

JOB NUMBER	
DATE	
ACCEPTED BY	
DATE	

<b>I.J. WHITE CORPORATION</b>	
SCALE	1/4" = 1'
TITLE	SPIRAL FREEZER
DATE	
TOLERANCES	DRAWING NUMBER