



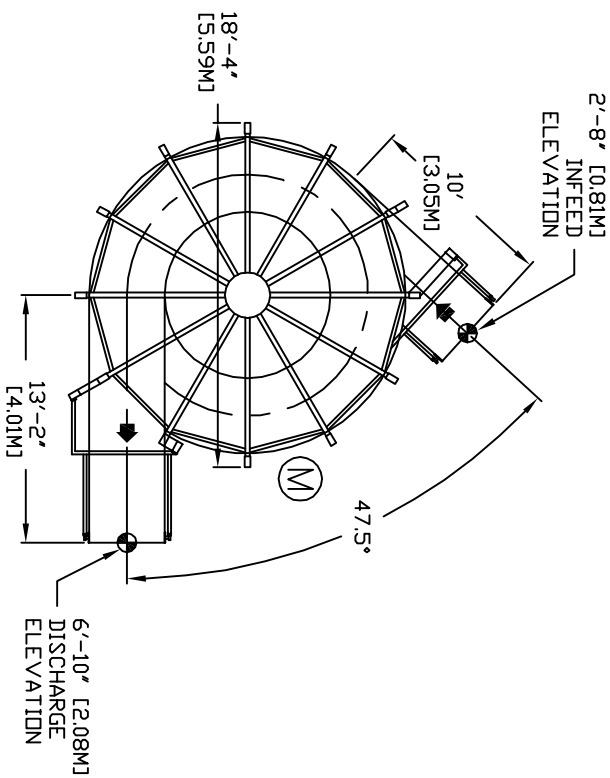
20 Executive Blvd. Farmingdale, NY 11735
Phone: (631)293-2211 Ext. 169 Fax (631)293-3788
E-Mail: sales@ijwhite.com Website: <http://www.ijwhite.com>

Re-Engineered System

Description:	Vertical Processing System
Model Number	1-48-40-ST-RF
System Number	1-48-40-ST-RF
Application	Cooling for Donuts, Cookies, Filled Fruit Pies, Pastries
Manufacturer	Non-IJW
Direction	Ascending/Descending
Tiers/Levels	7
System Height	7.67 ft/2.34M
Frame Material	AL
Belt Material	SS
Belt Width	48in/1219.2mm
Belt Type	1 x 1 Flex Ultra Series
Belt Length	370 ft/ 112.78M
Condition	Excellent Operating Condition

I.J. WHITE ULTRA SERIES 2 COOLING SYSTEM

DATE	SYM	REVISION RECORD	AUTH	DR	CHK



8'-8" [2.64M] OVERALL
SYSTEM ELEVATION

PRELIMINARY

JOB NUMBER	
DATE	
ACCEPTED BY	

CONFIDENTIAL

THIS DRAWING AND THE MATERIAL CONTAINED THEREIN ARE THE PROPERTY OF I.J. WHITE CORP. AND SHALL NOT BE REPRODUCED, COPIED, OR DISPOSED OF DIRECTLY OR INDIRECTLY, AND SHALL NOT BE USED IN WHOLE OR IN PART, IN THE MAKING OF OR FOR THE PURPOSE OF FURNISHING ANY INFORMATION FOR THE MAKING OF DRAWINGS, PRINTS, APPARATUS, OR PARTS THEREOF, OR FOR ANY OTHER PURPOSE WHATSOEVER, WITHOUT THE PRIOR WRITTEN CONSENT OF THE I.J. WHITE CORP. ALL MATERIAL CONTAINED HEREIN ORIGINATING WITH THE I.J. WHITE CORP. SHALL REMAIN THE PROPERTY OF THE I.J. WHITE CORP.



SINCE 1919

I.J. WHITE SYSTEMS

SCALE	3/32"=1'	DRAWN BY	
SHEET SIZE	A	APPROVED BY	
DATE		DRAWING NUMBER	

REV 0